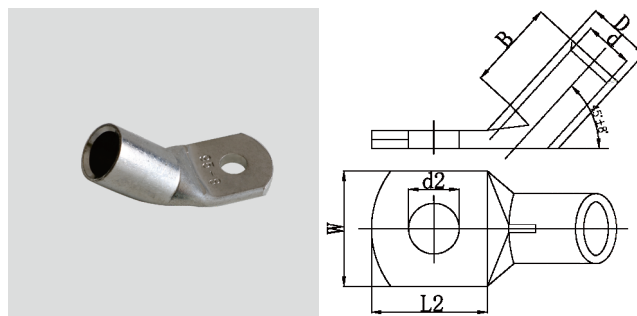


## 铜管端子 T-45D Copper Tube Terminal

端子材质：紫铜  
电镀：镀锡

Terminal Body: Copper  
Plating: Tin



WIRE RANGE A.W.G.mm <sup>2</sup> 压线范围	ITEM NO. 型号	DIMENSION(尺寸)/mm						Q'TY BOX 最小 包装	Maximum sustainable current value 最大可持续电流值
		d2	D	B	d	W	L1		
8 A.W.G. 10.0 mm <sup>2</sup>	T 10-6-45D	6.4	6.9	10	4.7	11.9	12.5	500	70A
	T 10-8-45D	8.3				13.5	15.5		
6 A.W.G. 16.0 mm <sup>2</sup>	T 16-6-45D	6.4	7.8	11	5.6	11.9	12	250	95A
	T 16-8-45D	8.3				13.5	15.5		
4 A.W.G. 25.0mm <sup>2</sup>	T 25-8-45D	8.3	9.5	13	7.1	14	16	200	125A
	T 25-10-45D	10.5				16	19		
2 A.W.G. 35.0 mm <sup>2</sup>	T 35-8-45D	8.3	11	16	8.2	16.5	18	100	170A
	T 35-10-45D	10.5					22		
1/0 A.W.G. 50.0 mm <sup>2</sup>	T 50-10-45D	10.5	12.5	19	9.5	17.9		22	100
	T 50-12-45D	13							
2/0 A.W.G. 70.0 mm <sup>2</sup>	T 70-10-45D	10.5	15	21	11.5	21.5	33	25	265A
	T 70-12-45D	13							
3/0 A.W.G. 95.0 mm <sup>2</sup>	T 95-14-45D	14.5	17	24	13.5	24.7	33	25	310A
	T 95-16-45D	16.5							
4/0 A.W.G. 120.0 mm <sup>2</sup>	T 120-14-45D	14.5	20	27	15.6	28.9	35	10	360A
	T 120-16-45D	16.5							
150.0 mm <sup>2</sup>	T 150-14-45D	14.5	21	32	16.5	30.4	35	10	445A
	T 150-16-45D	16.5							
185.0 mm <sup>2</sup>	T 185-16-45D	16.5	23.6	34	18.4	34	35	10	505A
240.0 mm <sup>2</sup>	T 240-16-45D	16.5	26.4	38	21.2	38.5			545A