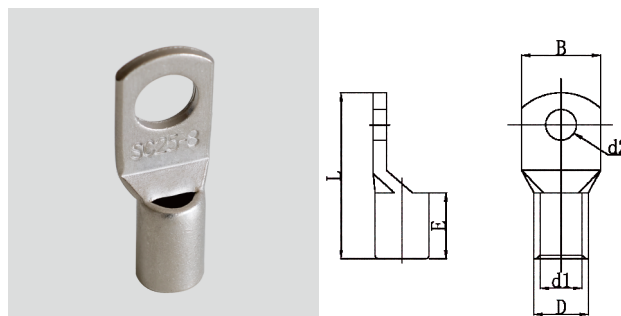


铜管端子 SC Copper Tube Terminal

端子材质：紫铜
电镀：镀锡

Terminal Body: Copper
Plating: Tin



| WIRE RANGE A.W.G.mm ² 压线范围 | ITEM NO. 型号 | DIMENSION(尺寸)/mm | | | | | | Q'TY BOX 最小 包装 | Maximum sustainable current value 最大可持续电流值 | |
|--|----------------|------------------|------|-----|----|----|------|-------------------------|---|------|
| | | d2 | B | L | D | d1 | E | | | |
| 500A.W.G. 300.0 mm ² | SC300-16 | 17 | 43.7 | 100 | 30 | 24 | 43.5 | 3 | 620A | |
| | SC300-20 | 21 | | | | | | | | |
| 600/750 A.W.G. 400.0 mm ² | SC400-10 | 10.5 | 49.5 | 110 | 34 | 27 | 46 | | 3 | 785A |
| | SC400-12 | 13 | | | | | | | | |
| | SC400-14 | 15 | | | | | | | | |
| | SC400-16 | 17 | | | | | | | | |
| | SC400-20 | 21 | | | | | | | | |
| 800/1000 A.W.G. 500.0 mm ² | SC500-10 | 10.5 | 55 | 123 | 38 | 30 | 50 | | 3 | 935A |
| | SC500-12 | 13 | | | | | | | | |
| | SC500-14 | 15 | | | | | | | | |
| | SC500-16 | 17 | | | | | | | | |
| | SC500-20 | 21 | | | | | | | | |
| 1000/1250 A.W.G. 630.0 mm ² | SC630-10 | 10.5 | 65 | 135 | 45 | 35 | 56 | 2 | 1065A | |
| | SC630-12 | 13 | | | | | | | | |
| | SC630-14 | 15 | | | | | | | | |
| | SC630-16 | 17 | | | | | | | | |
| | SC630-20 | 21 | | | | | | | | |
| 800 mm ² | SC800-20 | 21 | 72 | 170 | 50 | 39 | 60 | | | |
| 1000 mm ² | SC1000-22 | 23 | 81 | 200 | 56 | 44 | 87 | | | |

SC