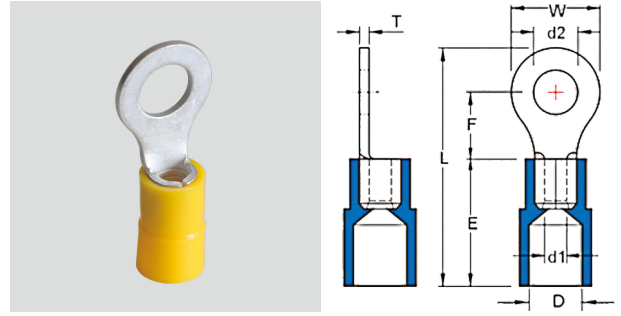


尼龙绝缘护套圆形端子 Nylon-Insulated Ring Terminal

端子材质：紫铜
护套材质：尼龙
电镀：镀锡
可定制各种颜色

Terminal Body: Copper
Insulation: Nylon
Plating: Tin
Various colors can be customized



WIRE RANGE A.W.G./mm ² 压线范围	ITEM NO. 型号	STUD SIZE 螺丝孔		DIMENSION(尺寸)/mm							Q'TY BOX 最小 包装
			d2	W	F	L	E	D	d1	T	
16-14A.W.G. 1.5-2.5mm ² Blue Insulation	RNYS2-5	#10	5.3	8.5	7.8	22.8	11	4.5	2.3	0.8	1000
	RNYL2-5	#10	5.3	9.5	7.3	22.8					
	RNY2-6	1/4	6.4	12	11	27.8					
	RNY2-8	5/16	8.4	12	11	27.8					
	RNY2-10	3/8	10.5	13.6	13.9	31.5					
	RNY2-12	1/2	13	19.2	16	36.4					
	RNY2-14	9/16	15	27	21	45.3					
	RNY2-16	5/8	17	27	21	45.3					
	RNY2-20	3/4	21	27	21	45.3					
12-10A.W.G 4-6 mm ² Yellow Insulation	RNY5.5-3.7	#6	3.7	7.2	6.1	22.7	13	6.4	3.4	1	1000
	RNYS5.5-4	#8	4.3	7.2	6.1	22.7					
	RNYL5.5-4	#8	4.3	9.5	8.3	26					
	RNY5.5-5	#10	5.3	9.5	8.3	26					
	RNY5.5-6	1/4	6.4	12	10.5	29.5					
	RNYM5.5-6	1/4	6.4	12	13	32					
	RNY5.5-8	5/16	8.4	15	13.3	34					
	RNY5.5-10	3/8	10.5	15	13.3	34					
	RNY5.5-12	1/2	13	19.2	16	38.6					
	RNY5.5-14	9/16	15	32	25.2	54.2					
	RNY5.5-16	5/8	17	32	25.2	54.2					
	RNY5.5-20	3/4	21	32	25.2	54.2					

RNY